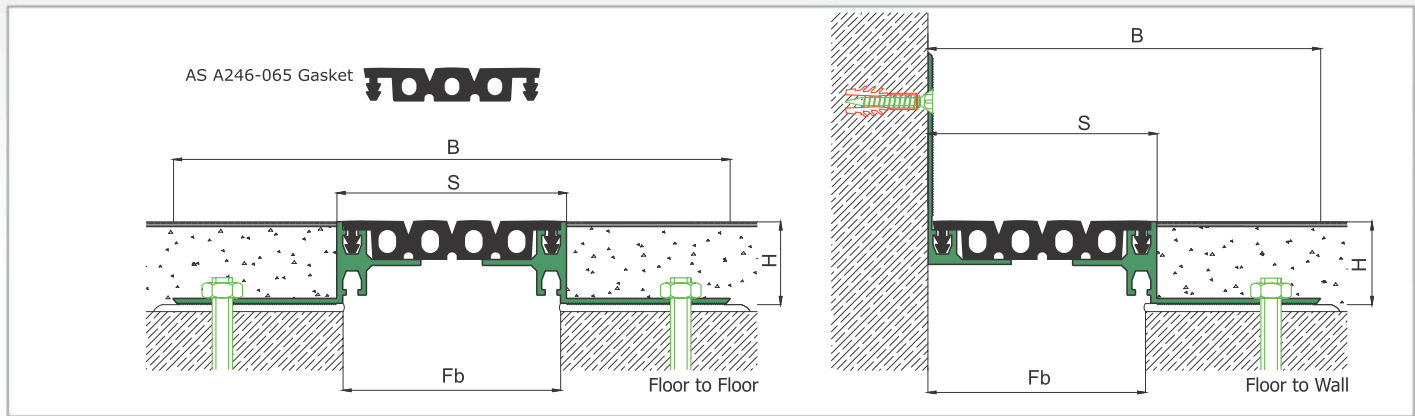
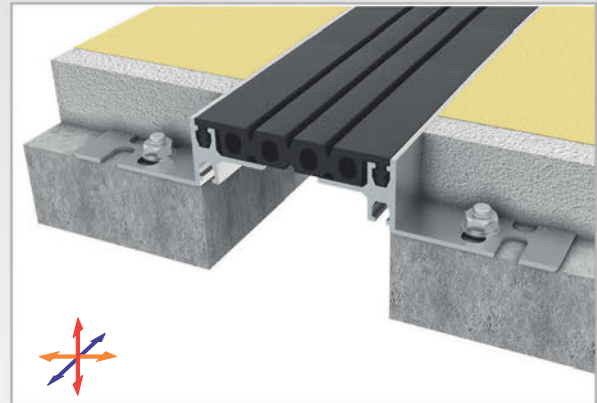
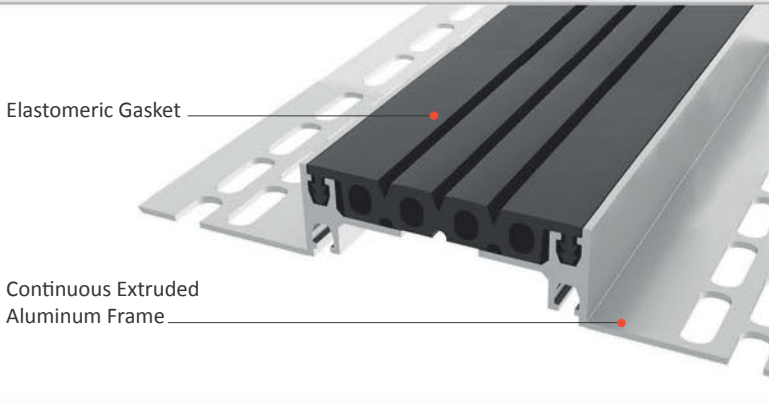




AS A246 flush mounted floor profiles for 65 mm and 80 mm gaps are applicable to all types of floors and designed for cars. Push-down elastomeric gasket can be changed without demounting the profile. Punched base frame lets the profile to be installed in an easy, quick and secured way. Profile can be applied with wall type AS A146 and this dual application brings in a decorative aspect.

- Application Areas** : Indoor & Outdoor / Floor
- Ideal for** : Car Parks, Shopping Malls, Airports, Residences, Hospitals, Hotels, Commercial & Public Buildings etc.
- Material** : Mill Finish Aluminum (Anodizing optional), TPE Gasket
- Aluminum Alloy** : 6063 AA-USA / EN AW 6063
- Optional Supplies** : Fire Barrier, Waterproof EPDM membrane, Vapour Barrier

FLOOR



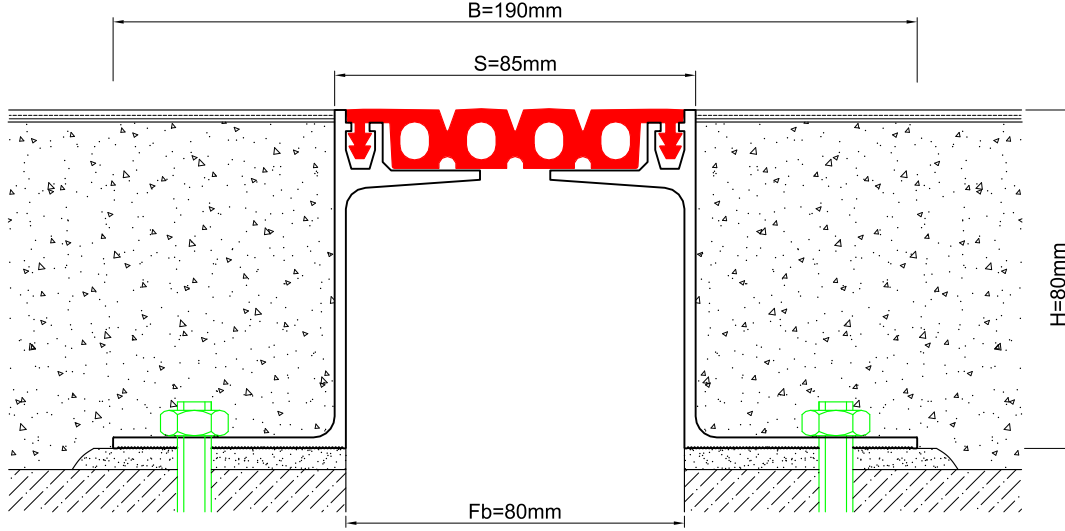
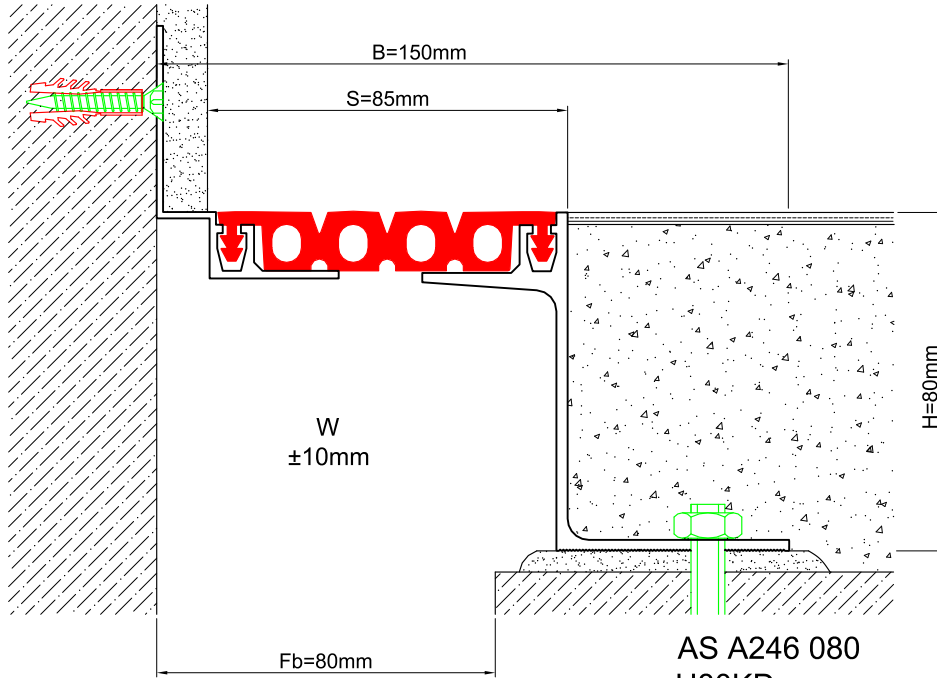
* Visuals are representative and the profile configuration may differ depending on the characteristics requested.

GASKET COLORS: **BLACK** GREY BEIGE Custom Colors available.

LOCATION	MODEL	GAP (Fb) mm	HEIGHT (H) MM	OVERALL WIDTH (B) mm	VISIBLE WIDTH (S) mm	MOVEMENT (W) mm	LOAD CAPACITY	STANDARD LENGTH (mt)
Floor to Floor	AS A246-065	65	30	190	70	± 8		3
	AS A246-065	65	45	165	70	± 8		3
	AS A246-080	80	30	205	84	± 10		3
	AS A246-080	80	45	180	85	± 10		3
	AS A246-080	80	80	190	85	± 10		3

Note: Please ask for different sizes




 AS A246 080
 H80D

 AS A246 080
 H80KD

Profil No Profile Number	AS A246 080	AS A246 080K
Fb (mm)	80	80
H (mm) yaklaşık approx.	80	80
W± (mm) yaklaşık approx.	±10	±10
Renk Color	Alüminyum: Natürel, Fitiller: Siyah, gri, diğer Aluminum: Natural, Inserts: Black, grey, others	
Malzeme Material	Alüminyum, Termoplastik Kauçuk (gri ve diğer) Aluminum, Thermoplastic Rubber (grey and others)	
Standart Uzunluk Standard Length	3	
Yükleme Kapasitesi Load-Bearing Capacity	